

Application Data Sheet

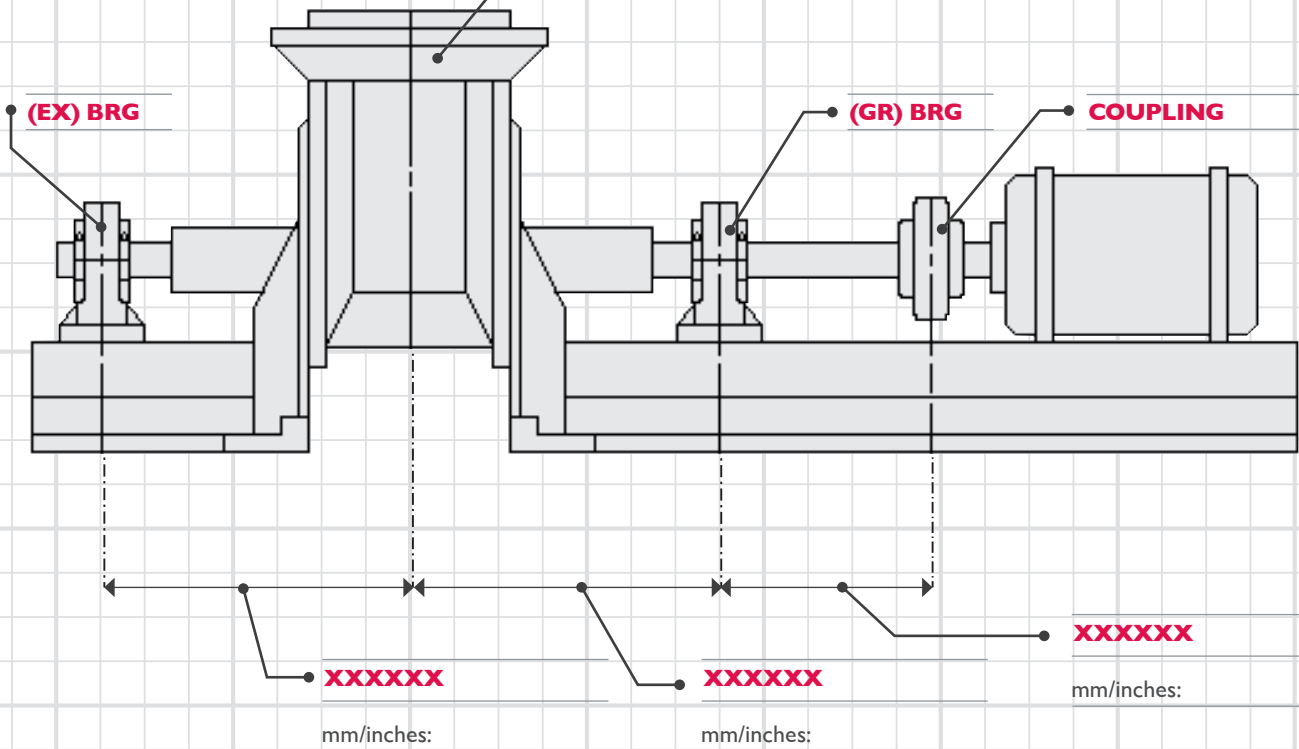
FAN BEARING DOUBLE INLET DIRECT DRIVE, IMPELLER BETWEEN BEARINGS

Visit CooperBearings.com

BEARING DETAILS

Fan Speed (rpm): _____
 Shaft Diameter (mm): _____
 Motor Power (kw): _____
 Pulley Mass (kg): _____
 Pulley PCD (mm): _____

IMPELLER
 Mass (kg): _____



EXISTING BEARING INFORMATION

CUSTOMER: _____
 PRESENT BEARING REFERENCE: _____
 DATE: _____

CURRENT BEARING LIFE: _____
 REQUIRED BEARING LIFE (HOURS): _____
 TEMPERATURE: INSIDE FAN CASTING (°C): _____
 AMBIENT TEMPERATURE (°C): _____

