

COMPLETE THE COST SAVING COMPARISON TO DETERMINE YOUR POTENTIAL SAVINGS

A Proven Return on Investment...

A Cooper customer was changing a solid bearing every six months. Each changeout took 32 man hours with the downtime at 16 hours. Production loss was quoted at £7,500 per hour, which totalled a production loss of £120,000 per bearing change-out. The cost per year equalled £250,950.

The bearings were then replaced with Cooper bearings and installation time plummeted to four hours. Production time increased and production loss costs reduced to £15,000. The result was an instant saving for the customer of £107,240.

...Plus Long Term Benefits

Since installation, the original Cooper bearing has not been changed. This is due to the customers' preventative maintenance programme, ease of inspection combined with the superior concentric sealing and and the quality of the the Cooper product.

At the time these costs were compiled, this customer was saving nearly £250,000 per machine per year. The level of saving increases on a monthly basis, proving that even in the toughest operating conditions, a Cooper split roller bearing is a guaranteed return on investment.

Evaluate Your Own Cost Saving Potential Using Cooper Bearings

COST SAVING COMPARISON

Typical example shown in blue	Current Bearing	Cooper Bearing
1 Cost of bearing	£1,795	£3,175
2 Estimated time of bearing change	16 hours	2 hours
3 Number of people to replace bearing	2	2
4 Maintenance cost per person, per hour	£15	£15
5 Production loss cost per hour	£7,500	£7,500
6 Crane rental per hour (average cost)	£200	N/A

TO FIND THE COST SAVINGS:

A Labour cost for Outage (Line 2 x line 3 x line 4)	£480	£60
B Production loss for Outage (Line 5 x line 2)	£120,000	£15,000
C Labour cost plus Production loss (Line A plus line B)	£120,480	£15,060
D Equipment rental for Outage (Line 6 x line 2)	£3,200	N/A
E Bearing + Labour + Production loss + Crane rental cost (Line 1 plus line C plus line D)	£125,475 <i>(per 6 months)</i>	£18,235
COMPARISON DIFFERENCE	£250,950	£18,235
ANNUAL TOTAL SAVINGS	-	£232,715

Subtract the value of line E on the left from the value of line E on the right to establish the savings achieved by specifying Cooper
Illustration correct at date of publication

COOPER

SPLIT ROLLER BEARINGS

UK, Europe, South America, Asia, Australia and the Middle East

Cooper Roller Bearings Company Ltd.
Wisbech Road
Kings Lynn, Norfolk, PE30 5JX
United Kingdom
Tel: +44 (0) 1553 763447
Fax: +44 (0) 1553 761113
Email: CoopersalesUK@kaydon.com

USA, Canada, Mexico and Central America

The Cooper Split Roller Bearing Corp.
5365 Robin Hood Road, Suite B
Norfolk, VA 23513
USA.
Tel: +1 (1) 757 460 0925
Fax: +1 (1) 757 464 3067
Email: CoopersalesUS@kaydon.com

Germany

Cooper Geteilte Rollenlager GmbH.
Postfach 100 423
Oberbenrader Str. 407
47704 Krefeld GERMANY
Tel: +49 (0) 2151 713 016
Fax: +49 (0) 2151 713 010
Email: CoopersalesDE@kaydon.com

People's Republic of China

Cooper Bearings Group Beijing.
Room 909, Canway Building Tower 1
No 66, Nanlishi Road, Xicheng District,
Beijing
PRC 100045
Tel: +86 (0) 10 68080803
+86 (0) 10 68080805
+86 (0) 10 68080806
Fax: +86 (0) 10 68080801
Email: CoopersalesCN@kaydon.com

Brazil

Cooper do Brasil Ltda.
Caixa Postal 66.105
CEP 05.314-970, Brasil
Tel: +55 (0) 11 3022 3706
Tel: +55 (0) 11 9156 2500
Email: CoopersalesBR@kaydon.com

India

Cooper Roller Bearings Company Ltd.
Wisbech Road
Kings Lynn, Norfolk, PE30 5JX
United Kingdom
Tel: +91 (0) 9820180089
Email: CoopersalesIN@kaydon.com

Australia

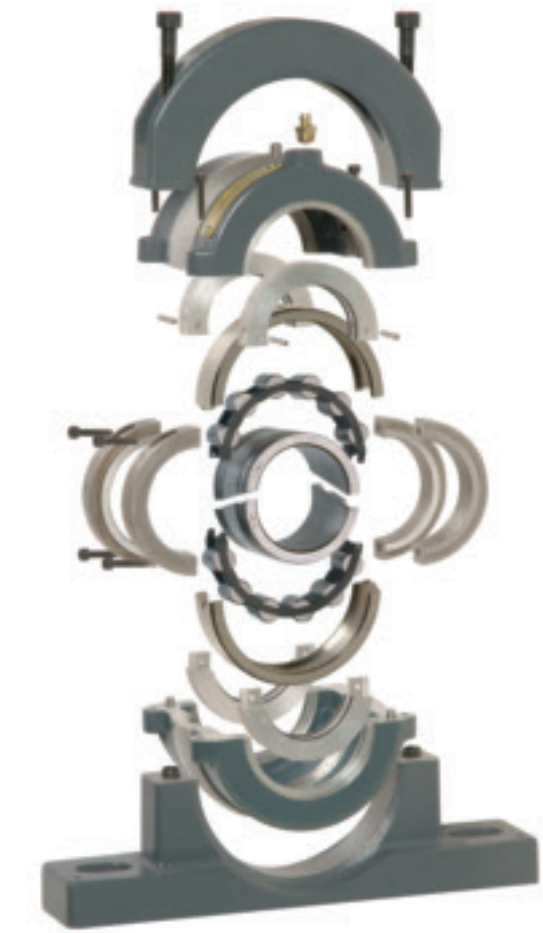
Cooper Bearings Group
PO BOX 241
Kelmescott
Western Australia 6991
Tel: +61(0) 8 93979990
Fax: +61(0) 8 93979990
Email: CoopersalesAU@kaydon.com



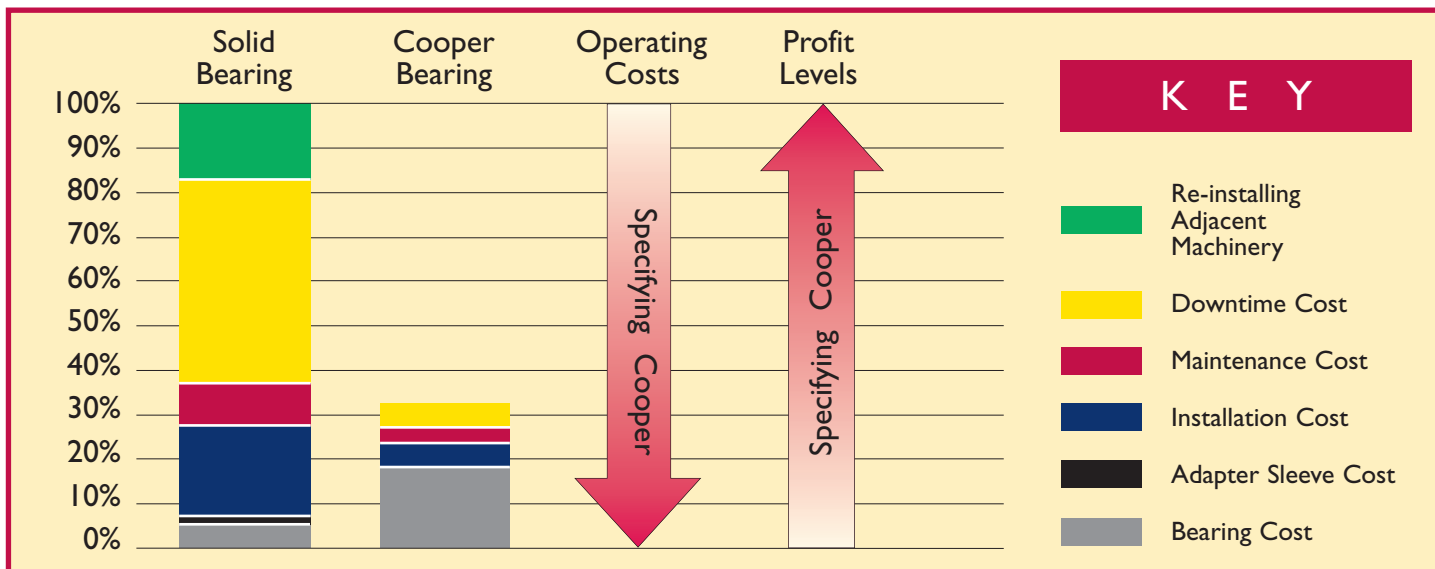
COOPER

SPLIT ROLLER BEARINGS

SN Compatible Pedestals



SN Bearing Versus Cooper Split Bearing Costs



Locate Your Nearest Distributor by Visiting CooperBearings.com



SN Compatible Pedestals

THE COOPER SN COMPATIBLE PRODUCT LINE

SN Product Line

The housings have bolt hole centre distances and base to bearing centre-line heights that conform to ISO 113-2. Complete SN assemblies are suitable for replacement of solid, self aligning ball bearings and in most cases, 222 Series double row spherical bearings using adaptor sleeves.

The Cooper SN compatible pedestal is available for bearings with shaft sizes from 60mm (2 1/4") (SN513) to 140mm (5 1/2") (SN532).

The pedestals use standard Cooper 01 Series bearings and cartridges. This gives the option of using the comprehensive range of Cooper sealing options suitable for almost any application.

The seals remain concentric to the shaft under misaligned conditions.

The use of standard Cooper bearings and cartridges will cause the footprint area and total housing height to differ from compatible SN housings.

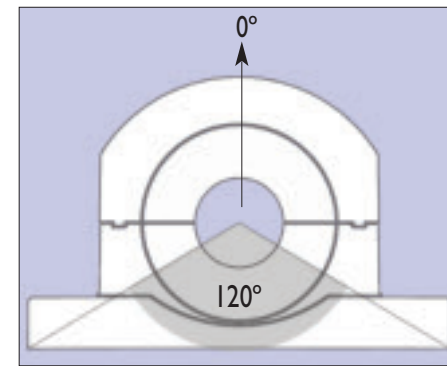
Pedestals are made from grey cast iron. Temperature and vibration mounting points may be specified.

Pedestal Loads

The maximum safe radial load for a pedestal casting is based on the bearing static rating C_{OR} . The full C_{OR} rating can be applied if the angle of the load falls within the shaded area of the diagram shown on the right.

If the load falls outside the shaded area or is greater than C_{OR} , please consult our technical department.

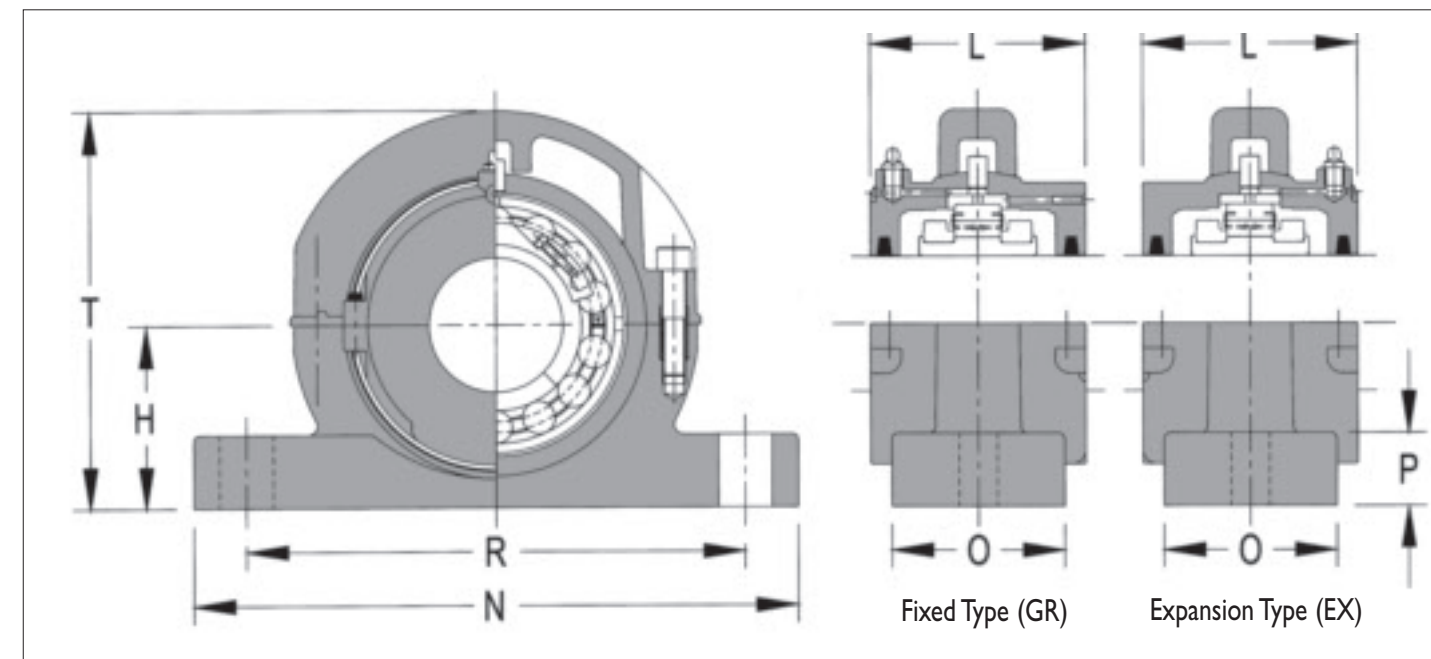
When considering suitability of pedestal castings, the resultant effective radial load must be used. The effective radial load is the resultant of net loads and appropriate dynamic factors, excluding speed and life factors.



Shaft Size mm *	Complete Standard Assembly	Alternative Bearing Sizes *	H	Min	R	Max	Bolt Size	L	N	O	P	T
60	01EBC SNCS513 60M	65mm (2 3/16) (2 1/4) (2 7/16)(2 1/2)	80 3 3/32	226 8 7/8	242 9 1/2	2 x M16 5/8	104 4 3/32	280 11 1/32	70 2 3/4	32 1 1/4	180 7 3/32	
65	01EBC SNCS515 65M	60mm (2 3/16) (2 1/4) (2 7/16)(2 1/2)	80 3 3/32	226 8 7/8	242 9 1/2	2 x M16 5/8	104 4 3/32	280 11 1/32	70 2 3/4	32 1 1/4	180 7 3/32	
70	01EBC SNCS516 70M	75mm (2 11/16) (2 3/4) (2 15/16)(3)	95 3 3/4	254 10	266 10 1/2	2 x M20 3/4	114 4 1/2	315 12 1/32	90 3 35/64	38 1 1/2	206 8 7/64	
75	01EBC SNCS517 75M	70mm (2 11/16) (2 3/4) (2 15/16)(3)	95 3 3/4	254 10	266 10 1/2	2 x M20 3/4	114 4 1/2	315 12 1/32	90 3 35/64	38 1 1/2	206 8 7/64	
80	01EBC SNCS518 80M	85mm 90mm (3 1/16) (3 1/4) (3 7/16)(3 1/2)	100 3 15/16	284 11 3/16	296 11 21/32	2 x M20 3/4	136 5 23/64	345 13 37/64	100 3 15/16	32 1 17/64	240 9 29/64	
85	01EBC SNCS519 85M	80mm 90mm (3 1/16) (3 1/4) (3 7/16)(3 1/2)	112 4 13/32	284 11 3/16	296 11 21/32	2 x M20 3/4	136 5 23/64	345 13 37/64	100 3 15/16	44 1 3/4	252 9 39/64	
90	01EBC SNCS520 90M	80mm 85mm (3 1/16) (3 1/4) (3 7/16)(3 1/2)	112 4 13/32	312 12 2/32	382 12 29/32	2 x M24 7/8	136 5 23/64	380 14 31/32	90 3 35/64	44 1 3/4	252 9 39/64	
100	01EBC SNCS522 100M	105mm (3 11/16) (3 3/4) (3 15/16)(4)	125 4 15/16	342 13 15/32	366 14 1/32	2 x M24 7/8	134 5 1/4	420 16 1/32	102 4 1/4	52 2 2/4	271 10 11/16	
110	01BC SNCS524 110M	115mm (4 1/16) (4 7/16) (4 1/4)	140 5 1/2	344 13 35/64	356 14 1/4	2 x M24 7/8	142 5 3/8	410 16 1/4	120 4 29/32	45 1 25/32	310 12 13/16	
115	01BC SNCS526 115M	110mm (4 1/16) (4 7/16) (4 1/4)	150 5 29/32	372 14 41/64	388 15 7/32	2 x M24 7/8	142 5 3/8	450 17 21/32	130 5 1/8	50 1 31/32	320 12 19/32	
125	01BC SNCS528 125M	120mm 130mm (4 15/16) (5)	150 5 29/32	414 16 19/64	426 16 25/32	2 x M30 1 1/4	156 6 1/8	500 19 11/16	150 5 29/32	50 1 31/32	360 14 11/16	
135	01BC SNCS530 135M	140mm (5 1/16) (5 7/16) (5 1/4)	160 6 19/64	444 17 31/64	456 17 41/64	2 x M30 1 1/4	168 6 5/8	530 20 35/64	160 6 19/64	56 2 13/64	381 15	
140	01BC SNCS532 140M	135mm (5 1/16) (5 7/16) (5 1/4)	170 6 11/16	462 18 18/64	478 18 13/16	2 x M30 1 1/4	168 6 5/8	558 21 31/32	178 7	41 1 29/64	391 15 25/64	

Metric Sizes Shown in Red. Imperial Sizes Shown in Black. Add EX to reference for Expansion Type or GR for Fixed Type.
* Shaft Size indicates standard SNC bearing. * Alternative Bearing Sizes shown may be fitted in the same pedestal.

TECHNICAL SPECIFICATIONS



Features & Benefits

Split to the Shaft Bearing	Installed without removing adjacent equipment or machinery. Low cost of installation. Ease of replacement. Reduces downtime. Increases maintenance efficiency.
Superior Sealing	External alignment ensures that the seals remain concentric with the shaft at all times, eliminating contamination and increasing bearing life.
Full Service Manufacturer	Proven range of products. Vast engineering knowledge. Problem solving solutions a speciality. Technical and installation support service.
Established Organisation	Global distribution network. Local support provided by Cooper and distribution partners.

TYPICAL SN BEARING INDUSTRIES

CEMENT & AGGREGATE INDUSTRIES



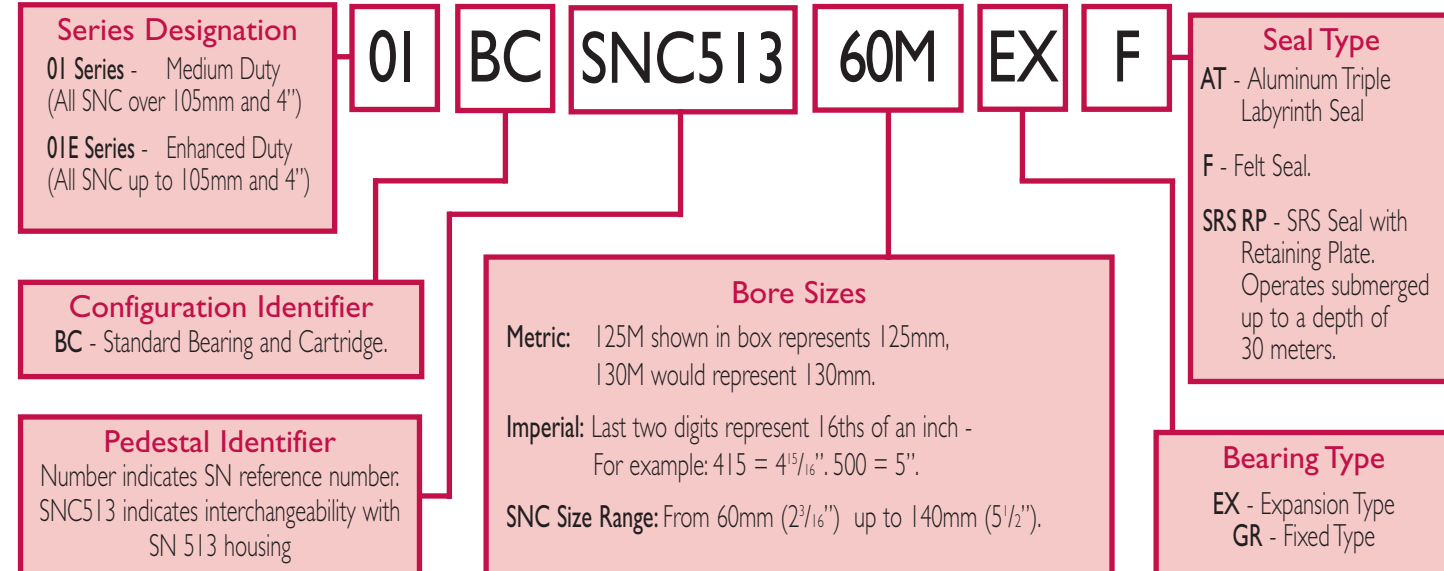
CONVEYORS & MATERIALS HANDLING



FANS AND AIR MOVEMENT



COOPER NOMENCLATURE - HOW TO ORDER



SN Product Line - Nomenclature Examples

01E BC SNCS513 60M EX F: Standard 60mm bearing, cartridge and pedestal assembly, expansion type with felt seals.

01 BC SNCS532 503 GR AT: Fixed type (5 1/16") bearing and cartridge assembly with aluminium triple labyrinth seals in a SN 532 compatible housing.

INCREASES UPTIME AND CUTS DOWNTIME



The Cooper SN compatible bearing offers the advantage of direct replacement plus shorter cost saving inspection and maintenance.

A Cooper bearing (shown left) can be installed in trapped applications and inspected and maintained without removing adjacent equipment or machinery, unlike the solid SN bearing (shown right) where inspection requires long shutdowns with lengthy, costly maintenance periods to remove the bearing.