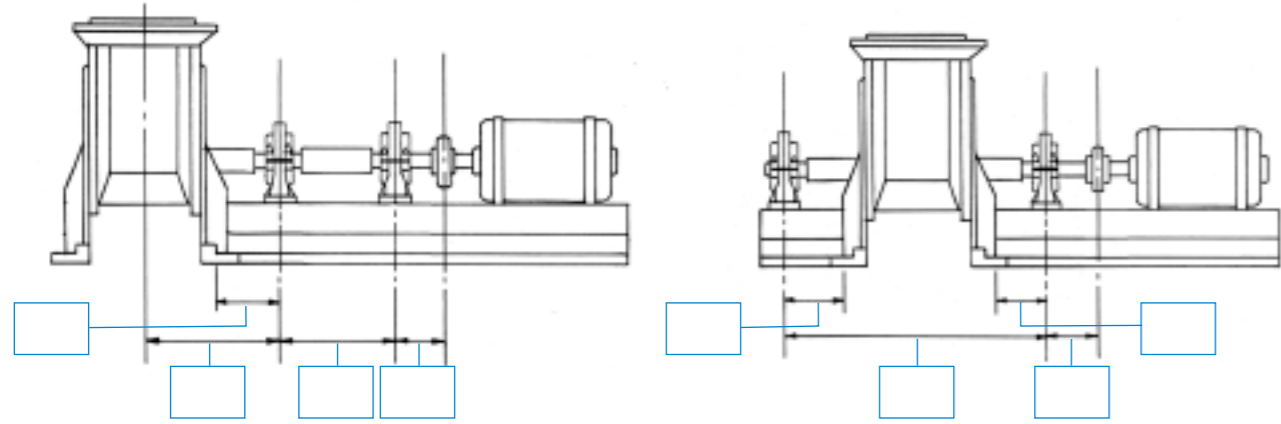


DIRECT DRIVE FANS

Please provide as much information as possible and include dimensional information on existing fan configuration on a drawing below.
PLEASE PRINT CLEARLY



Contact information

Company name:		Contact name:
Distributor name:	City/Town:	Country:
Sales person name:	Date:	
Phone:	Fax:	Email:

Application details

Customer's application name:			
Data from nameplate:			
Shaft size:	Current bearing (2 or 4 bolt base):	Fanshaft speed:	
Motor h.p. (kw) :	Motor speed:	Coupling weight:	
Single or double inlet:	Impeller weight:		
Inlet cone smallest diameter:	Inlet duct diameter:		
Shaft sealed to casing	Yes <input type="checkbox"/> No <input type="checkbox"/>	Impeller back plate fitted	Yes <input type="checkbox"/> No <input type="checkbox"/>
Static pressure (water gauge):	Flow rate (CFM):	Thrust load:	
Temperature of gases: °C.	Shaft temperature at bearing location: °C.	Ambient temperature: °C.	
Comments on operating environment:			

Please forward your specifications to:
Cooper Roller Bearings Co Ltd, Wisbech Road, King's Lynn, Norfolk PE30 5JX, England. Telephone +44 (0) 1553 763 447. Fax +44 (0) 1553 660 494 or
Cooper Geteilte Rollenlager GmbH, Postfach 100 423, Oberbenrader Str 407, 47704 Krefeld, Germany. Telephone + (49) 2151 713 016. Fax +(49) 2151 713 010

FAN BEARING DATA SHEET



Cooper Customer Service Centres

UK, Europe, South America, Asia, Australia and the Middle East

Cooper Roller Bearings Company Ltd.
 Wisbech Road
 Kings Lynn
 Norfolk
 PE30 5JX
 United Kingdom
 Tel: +44 (0) 1553 763447
 Fax: +44 (0) 1553 761113
 Email: CoopersalesUK@kaydon.com

USA, Canada, Mexico and Central America

The Cooper Split Roller Bearing Corp.
 5365 Robin Hood Road
 Suite B
 Norfolk
 VA 23513
 USA.
 Tel: +1 (1) 757 460 0925
 Fax: +1 (1) 757 464 3067
 Email: CoopersalesUS@kaydon.com

Germany

Cooper Geteilte Rollenlager GmbH.
 Postfach 100 423
 Oberbenrader Str. 407
 47704 Krefeld
 GERMANY
 Tel: +49 (0) 2151 713 016
 Fax: +49 (0) 2151 713 010
 Email: CoopersalesDE@kaydon.com

People's Republic of China

Cooper Bearings Group Beijing.
 Room 909, Canway Building Tower 1
 No 66, Nanlishi Road
 Xicheng District
 Beijing
 PRC 100045
 Tel: +86 (0) 10 68080803
 +86 (0) 10 68080805
 +86 (0) 10 68080806
 Fax: +86 (0) 10 68080801
 Email: CoopersalesCN@kaydon.com

Hong Kong

Cooper Roller Bearings (Hong Kong) Co. Ltd.
 21st Floor Chinachem Tower
 34-37 Connaught Road Central,
 Hong Kong
 Tel: +852 6050 6633
 Tel: +86 (0) 135 7010 7075
 Email: CoopersalesHK@kaydon.com

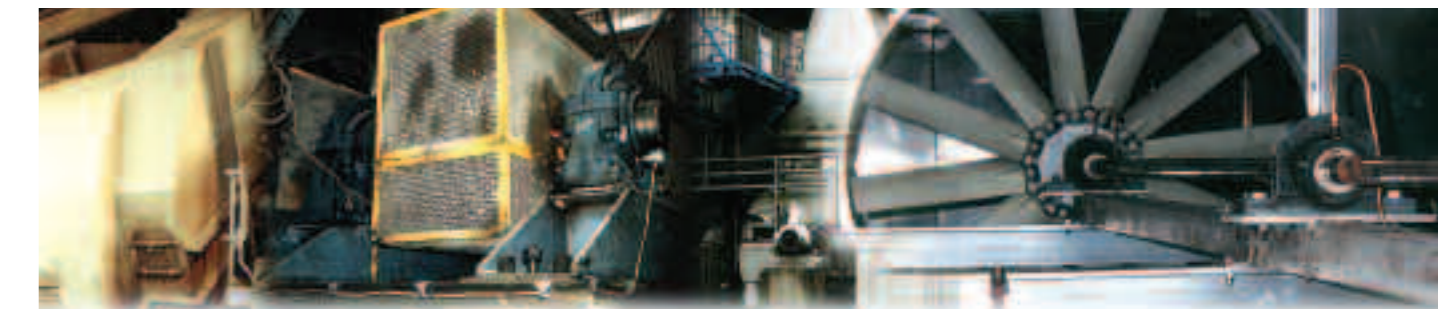
Brazil

Cooper do Brasil Ltda.
 Caixa Postal 66.105
 CEP 05.314-970
 Brasil
 Tel: +55 (0) 11 3022 3706
 Tel: +55 (0) 11 9156 2500
 Email: CoopersalesBR@kaydon.com

India

Cooper Roller Bearings Company Ltd.
 Wisbech Road
 Kings Lynn
 Norfolk
 PE30 5JX
 United Kingdom
 Tel: +91 (0) 9820180089
 Email: CoopersalesIN@kaydon.com

Fan and Blower Applications



Fan and Blower Applications

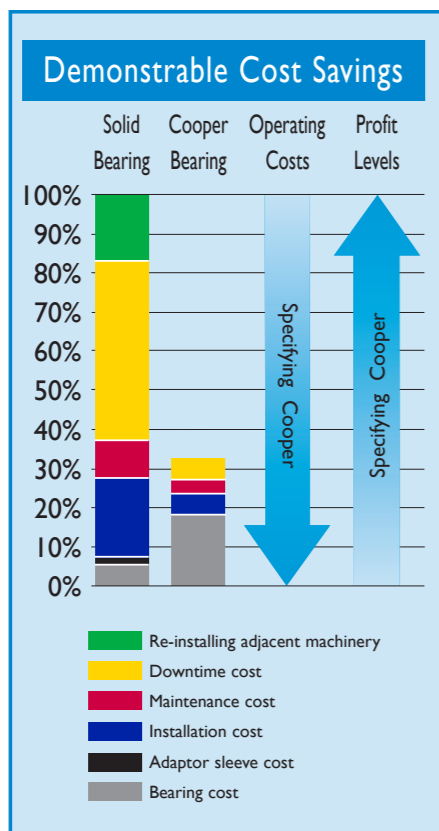


The Cooper Bearings Group is a full service provider of sales and technical engineering support to our customers around the world. No other split roller bearing manufacturer matches the Cooper breadth of knowledge and experience.

Significant investment has transformed Cooper into a responsive, customer focussed organisation offering stock availability for standard product and competitive lead time for special bearings. We support our customers with rapid technical and commercial information directly from our offices and via our web site at www.CooperBearings.com.

To ensure Cooper continues to lead our industry, we have created a new product and business development process. This ensures we will continue to offer products and services that provide demonstrable competitive advantage.

Industries around the world recognise the importance of continuous air flow and fume extraction. Fan breakdown means loss of production and lost output. Cooper bearings reduce downtime to a



minimum. They are specified for use on air movement and ventilation by OEM's and plant managers around the world, and have a proven track record. Compared with any double row spherical fitted to a comparable shaft size, the Cooper bearing can run at a higher speed.

The superior lubrication retention of the Cooper bearing cancels the need for external water or oil cooling systems. Cooper bearings also reduce power loss and minimise energy consumption at start up compared to sleeve bearings.

Cooper offers a proven range of split to the shaft roller bearings, mountings, and seals designed to meet the air movement and fume extraction requirements of heavy industry.

To meet these varied requirements, we offer the O1 Series bearing for medium duty, the O2 Series for heavy duty and the O3 Series for extra heavy duty from our standard range of

Features & Benefits

Split to the Shaft Bearing	Low cost of installation. Ease of replacement. Reduces downtime. Increases maintenance efficiency. Factory set clearance.
Comprehensive Range of Mountings	Meets most application requirements from the standard range. Pedestals are available in steel, grey iron and nodular iron including: Flanges, Rod End Bearings, Take-up Bearings and Custom Bearings.
Superior Sealing	External alignment ensures 360° concentricity with the shaft at all times, eliminating contamination and increasing bearing life.
Full Service Manufacturer	Proven range of products. Vast engineering knowledge. Problem solving solutions a specialty. Technical and installation support service.
Established Organisation	Global distribution network. Local support provided by Cooper and distribution partners.

bearings. Our standard fan mounting option range includes pedestals and flange mountings. The SN compatible pedestal offers the benefits of Cooper split bearing technology for existing SN pedestal users and is available from 60mm to 140mm shaft size.

Installation is very easy as there is no need to remove ancillary equipment. In most instances except for the very largest bearings, there is no need to use expensive lifting equipment. Additionally, fitting a Cooper bearing is

easier in a confined space as the components are easier to manage.

In many cases the pedestal base hold down bolts remain in place during replacement. When replacing only the Cooper bearing and cartridge unit in existing applications, the correct fan-wheel and shaft alignment is maintained by the cartridge swivel joint.

Cooper also offers a comprehensive selection of seals that will retain lubrication and keep out

Fan Bearing Mounting Options



SN Compatible Pedestals

Shaft Size (mm)	Pedestal Only	SN Reference	Complete Assembly	Shaft Size (mm)	Pedestal Only	SN Equivalent	Complete Assembly
60	SNCS13	513	01EBC SNCS13 60mm	100	SNCS22	522	01EBC SNCS22 100mm
65	SNCS15	515	01EBC SNCS15 65mm	110	SNCS24	524	01BC SNCS24 110mm
70	SNCS16	516	01EBC SNCS16 70mm	115	SNCS26	526	01BC SNCS26 115mm
75	SNCS17	517	01EBC SNCS17 75mm	125	SNCS28	528	01BC SNCS28 125mm
80	SNCS18	518	01EBC SNCS18 80mm	135	SNCS30	530	01BC SNCS30 135mm
85	SNCS19	519	01EBC SNCS19 85mm	140	SNCS32	532	01BC SNCS32 140mm
90	SNCS20	520	01EBC SNCS20 90mm				

Add EX for expansion type or GR for fixed type to reference.



Completely accessible in trapped applications for cost effective maintenance. The Cooper bearings shown left are shown mounted to an automotive paint shop extractor fan.

Cooper bearings operate effectively in the harshest of conditions including extremes of temperature, high humidity or abrasive atmospheres.



damaging particles, even under the most demanding and hostile operating conditions.

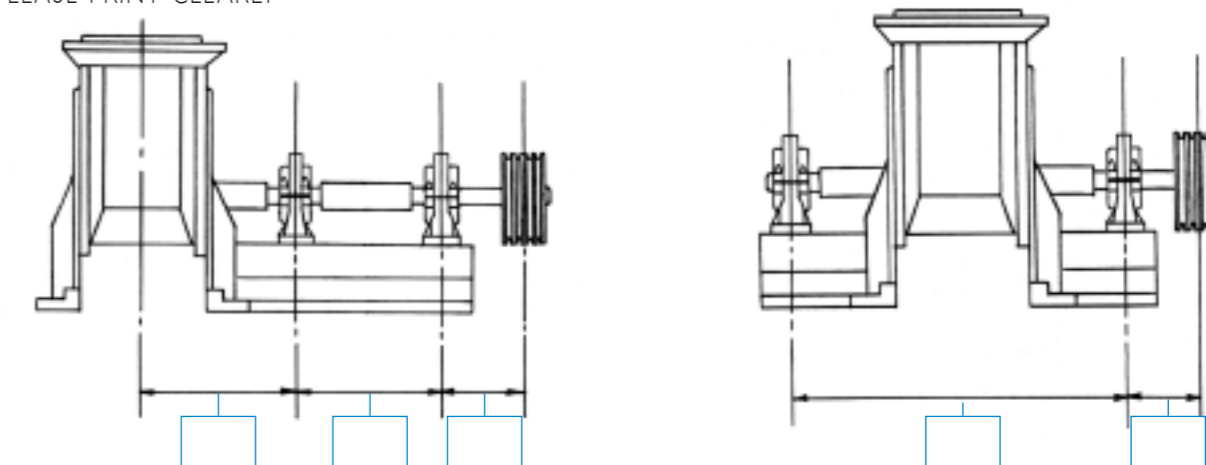
Our local sales manager will offer free professional advice backed by solid technical support and product availability from our distribution partners around the world.

For a complete list of our distribution partners, please visit us at www.CooperBearings.com

Contact Cooper or authorised distributors for more information.



Please provide as much information as possible and include dimensional information on existing fan configuration on a drawing below. PLEASE PRINT CLEARLY



Contact information

Company name: _____ Contact name: _____
 Distributor name: _____ City/Town: _____ Country: _____
 Sales person name: _____ Date: _____
 Phone: _____ Fax: _____ Email: _____

Application details

Customer's application name: _____
 Data from nameplate: _____
 Shaft size: _____ Current bearing (2 or 4 bolt base): _____
 Motor h.p. (kw): _____ Motor speed: _____ Fanshaft speed: _____
 Belt pull angle: _____
 Driven pulley diameter: _____ Driven pulley weight: _____
 Single or double inlet: _____ Impeller weight: _____
 Inlet cone smallest diameter: _____ Inlet duct diameter: _____
 Shaft sealed to casing Yes No Impeller back plate fitted Yes No
 Static pressure (water gauge): _____ Flow rate (CFM): _____ Thrust load: _____
 Temperature of gases: _____ °C. Shaft temperature at bearing location: _____ °C. Ambient temperature: _____ °C.
 Comments on operating environment: _____

Please forward your specifications to:
Cooper Roller Bearings Co Ltd, Wisbech Road, King's Lynn, Norfolk PE30 5JX, England. Telephone +44 (0) 1553 763 447. Fax +44 (0) 1553 660 494 or
Cooper Geteilte Rollenlager GmbH, Postfach 100 423, Oberbenrader Str 407, 47704 Krefeld, Germany. Telephone + (49) 2151 713 016. Fax +(49) 2151 713 010